

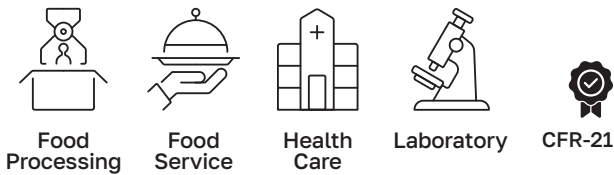
MPCV Series

MICROPOROUS COVERALL

These coveralls are made of a microporous material created by laminating a microporous film over a base layer of spun-bonded polypropylene. The result is a high-tensile strength material with pores too small for most solids and liquids to pass through, filtering particles as small as 0.5 microns. The durability and high particle filtration efficiency make the microporous material an economical alternative to tyvek®.

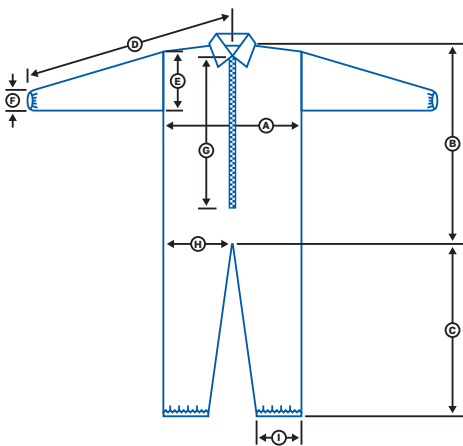


ZIPPER FRONT



SKU	SIZE	DIMENSIONS (CASE L" x W" x H")	WEIGHT (CASE, LBS)	GTIN	COLOR	CASE QTY	INNER PACKAGING	PALLET COUNT	TI/HI	COO
MPCVMD	MEDIUM	12.99 x 11.02 x 10.24	10.45	10699320001896	White	25	QTY/PACK = 25 PACKS/CASE = 1	60	TI = 10 HI = 6	China
MPCVXL	LARGE	12.99 x 11.02 x 10.24	11	10699320001889	White	25	QTY/PACK = 25 PACKS/CASE = 1	60	TI = 10 HI = 6	China
MPCVLG	XL	12.99 x 11.02 x 10.24	10	10699320001841	White	25	QTY/PACK = 25 PACKS/CASE = 1	60	TI = 10 HI = 6	China
MPCV2X	2X	112.99 x 11.02 x 11.42	11	10699320001834	White	25	QTY/PACK = 25 PACKS/CASE = 1	60	TI = 10 HI = 6	China
MPCV3X	3X	12.99 x 11.02 x 11.42	12.65	10699320001858	White	25	QTY/PACK = 25 PACKS/CASE = 1	60	TI = 10 HI = 6	China
MPCV4X	4X	12.99 x 11.02 x 11.81	14	10699320001865	White	25	QTY/PACK = 25 PACKS/CASE = 1	60	TI = 10 HI = 6	China
MPCV5X	5X	12.99 x 11.02 x 11.81	16.5	10699320001872	White	25	QTY/PACK = 25 PACKS/CASE = 1	60	TI = 10 HI = 6	China

COVERALLS FINISHED DIMENSIONS



		MEASUREMENTS (inches, +/-1" tolerance)								
		(A)	(B)	(C)	(D)	(E)	(F)	(G)	(H)	(I)
SIZE	M	25.2	35.83	29.13	33.7	1.63	6.3	27.56	14.17	1.24
	L	26.77	37.4	29.53	34.25	1.63	6.3	29.53	14.96	1.24
	XL	28.35	38.98	29.92	35.83	1.83	6.3	31.5	15.75	1.63
	2X	29.92	4.94	3.31	37.1	11.22	6.3	31.5	16.54	1.63
	3X	31.5	42.52	3.71	38.19	11.22	6.69	31.5	17.32	11.2
	4X	33.7	44.9	31.5	39.37	11.61	7.48	31.5	18.11	11.2
	5X	34.65	45.67	32.28	4.55	12.1	7.48	31.5	18.9	11.42