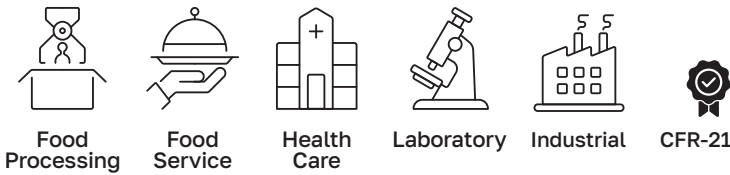


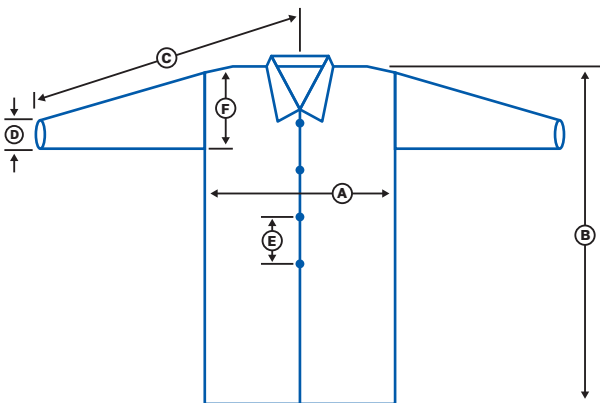
MPLC Series

MICROPOROUS LABCOAT

These labcoats are made of a microporous material created by laminating a microporous film over a base layer of spun-bonded polypropylene. The result is a high-tensile strength material with pores too small for most solids and liquids to pass through, filtering particles as small as 0.5 microns. The durability and high particle filtration efficiency make the microporous material an economical alternative to tyvek®.



SKU	SIZE	DIMENSIONS (CASE L" x W" x H")	WEIGHT (CASE, LBS)	GTIN	COLOR	CASE QTY	INNER PACKAGING	PALLET COUNT	TI/HI	COO
MPLCMD	MEDIUM	12.20 x 10.24 x 11.81	9.4	10699320003531	White	30	QTY/PACK = 30 PACKS/CASE = 1	72	TI = 12 HI = 6	China
MPLCLG	LARGE	12.20 x 10.24 x 11.81	9.5	10699320003548	White	30	QTY/PACK = 30 PACKS/CASE = 1	72	TI = 12 HI = 6	China
MPLCXL	XL	12.20 x 10.24 x 11.81	9.6	10699320003555	White	30	QTY/PACK = 30 PACKS/CASE = 1	72	TI = 12 HI = 6	China
MPLC2X	2X	12.20 x 10.24 x 12.99	9.7	10699320003562	White	30	QTY/PACK = 30 PACKS/CASE = 1	72	TI = 12 HI = 6	China
MPLC3X	3X	12.20 x 10.24 x 12.99	9.8	10699320003579	White	30	QTY/PACK = 30 PACKS/CASE = 1	72	TI = 12 HI = 6	China
MPLC4X	4X	12.20 x 10.24 x 13.78	9.9	10699320003586	White	30	QTY/PACK = 30 PACKS/CASE = 1	72	TI = 12 HI = 6	China
MPLC5X	5X	12.20 x 10.24 x 13.78	10	10699320003593	White	30	QTY/PACK = 30 PACKS/CASE = 1	72	TI = 12 HI = 6	China



MICROPOROUS LABCOAT FINISHED DIMENSIONS

		MEASUREMENTS (inches, +/-1" tolerance)					
		(A)	(B)	(C)	(D)	(E)	(F)
SIZE	M	24.8	37.4	34.65	6.69	5.91	11.2
	L	26.38	38.19	35.43	6.69	5.91	1.63
	XL	28.35	39.37	36.61	7.9	5.91	11.42
	2X	29.53	4.55	37.6	7.9	5.91	11.42
	3X	31.5	42.13	38.58	7.48	5.91	11.42
	4X	33.46	43.7	39.96	7.48	5.91	11.81
	5X	35.43	45.28	4.94	7.87	5.91	11.81