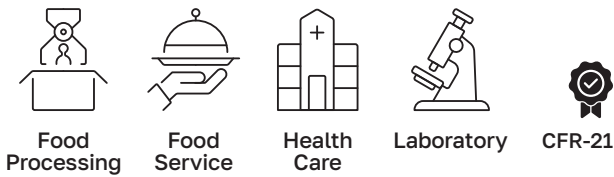


PPCV Series

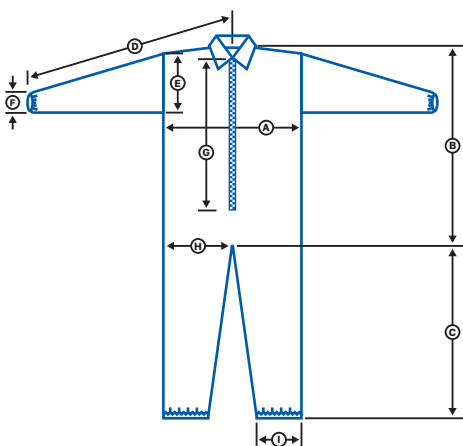
POLYPROPYLENE COVERALL

Made of light-weight and porous spun-bonded polypropylene, these coveralls are a breathable, cool and comfortable option for protecting against dry particulates such as dirt and grime and contamination control.



ZIPPER FRONT

SKU	SIZE	DIMENSIONS (CASE L" x W" x H")	WEIGHT (CASE, LBS)	GTIN	COLOR	CASE QTY	INNER PACKAGING	PALLET COUNT	TI/HI	COO
PPCVMD	MEDIUM	12.99 x 11.02 x 7.87	6.61	10699320001933	White	25	QTY/PACK = 25 PACKS/CASE = 1	90	TI = 10 HI = 9	China
PPCVLG	LARGE	12.99 x 11.02 x 7.87	6.61	10699320001926	White	25	QTY/PACK = 25 PACKS/CASE = 1	90	TI = 10 HI = 9	China
PPCVXL	XL	12.99 x 11.02 x 7.87	6.61	10699320001919	White	25	QTY/PACK = 25 PACKS/CASE = 1	90	TI = 10 HI = 9	China
PPCV2X	2X	12.99 x 11.02 x 8.66	6.61	10699320001902	White	25	QTY/PACK = 25 PACKS/CASE = 1	90	TI = 10 HI = 9	China
PPCV3X	3X	12.99 x 11.02 x 8.66	6.61	10699320001940	White	25	QTY/PACK = 25 PACKS/CASE = 1	90	TI = 10 HI = 9	China
PPCV4X	4X	12.99 x 11.02 x 8.66	7.72	10699320001957	White	25	QTY/PACK = 25 PACKS/CASE = 1	90	TI = 10 HI = 9	China
PPCV5X	5X	12.99 x 11.02 x 8.66	7.72	10699320001964	White	25	QTY/PACK = 25 PACKS/CASE = 1	90	TI = 10 HI = 9	China



POLYPROYLENE COVERALLS FINISHED DIMENSIONS

		MEASUREMENTS (inches, +/-1" tolerance)								
		(A)	(B)	(C)	(D)	(E)	(F)	(G)	(H)	(I)
SIZE	M	25.2	35.83	29.13	33.7	1.63	6.3	27.56	14.17	1.24
	L	26.77	37.4	29.53	34.25	1.63	6.3	29.53	14.96	1.24
	XL	28.35	38.98	29.92	35.83	1.83	6.3	31.5	15.75	1.63
	2X	29.92	4.94	3.31	37.1	11.22	6.3	31.5	16.54	1.63
	3X	31.5	42.52	3.71	38.19	11.22	6.69	31.5	17.32	11.2
	4X	33.7	44.9	31.5	39.37	11.61	7.48	31.5	18.11	11.2
	5X	34.65	45.67	32.28	4.55	12.1	7.48	31.5	18.9	11.42