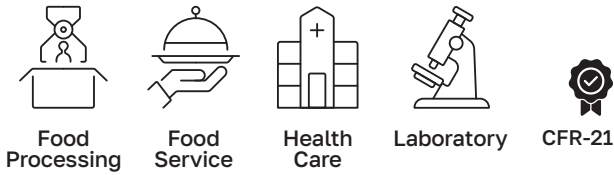


## PPCVBHB Series

# POLYPROPYLENE COVERALL

Made of light-weight and porous spun-bonded polypropylene, these coveralls are a breathable, cool and comfortable option for protecting against dry particulates such as dirt and grime and contamination control.



**ZIPPER FRONT**

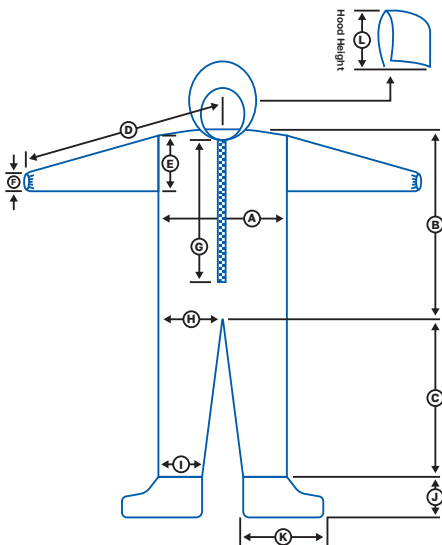


**ATTACHED HOOD AND BOOT**



**LATEX FREE ELASTIC WRISTS**

SKU	SIZE	DIMENSIONS (CASE L" x W" x H")	WEIGHT (CASE, LBS)	GTIN	COLOR	CASE QTY	INNER PACKAGING	PALLET COUNT	TI/HI	COO
PPCVBMDHB	MEDIUM	12.20 x 9.84 x 16.93	6.61	10699320002336	Navy Blue	25	QTY/PACK = 25 PACKS/CASE = 1	90	TI = 10 HI = 9	China
PPCVBLGHB	LARGE	12.20 x 9.84 x 16.14	6.61	10699320002381	Navy Blue	25	QTY/PACK = 25 PACKS/CASE = 1	90	TI = 10 HI = 9	China
PPCVBXLHB	XL	12.20 x 9.84 x 16.93	6.61	10699320002343	Navy Blue	25	QTY/PACK = 25 PACKS/CASE = 1	90	TI = 10 HI = 9	China
PPCVB2XHB	2X	12.20 x 9.84 x 16.93	6.61	10699320002329	Navy Blue	25	QTY/PACK = 25 PACKS/CASE = 1	90	TI = 10 HI = 9	China
PPCVB3XHB	3X	12.20 x 9.84 x 17.72	6.61	10699320002367	Navy Blue	25	QTY/PACK = 25 PACKS/CASE = 1	90	TI = 10 HI = 9	China
PPCVB4XHB	4X	12.20 x 9.84 x 17.72	7.72	10699320002350	Navy Blue	25	QTY/PACK = 25 PACKS/CASE = 1	90	TI = 10 HI = 9	China
PPCVB5XHB	5X	12.20 x 9.84 x 17.72	6.61	10699320002374	Navy Blue	25	QTY/PACK = 25 PACKS/CASE = 1	90	TI = 10 HI = 9	China



### POLYPROPYLENE COVERALLS FINISHED DIMENSIONS

		MEASUREMENTS (inches, +/-1" tolerance)											
		A	B	C	D	E	F	G	H	I	J	K	L
SIZE	M	25.2	35.83	29.53	34.25	1.63	6.3	29.53	14.96	1.24	7.48	15.75	13.78
	L	26.77	37.4	29.13	33.7	1.63	6.3	27.56	14.17	1.24	7.48	15.75	13.78
	XL	28.35	38.98	29.92	35.83	1.83	6.3	31.5	15.75	1.63	7.48	15.75	13.78
	2X	29.92	4.94	3.31	37.1	11.22	6.3	31.5	16.54	1.63	7.48	15.75	13.78
	3X	31.5	42.52	3.71	38.19	11.22	6.69	31.5	17.32	11.2	7.48	15.75	13.78
	4X	33.7	44.9	31.5	39.37	11.61	7.48	31.5	18.11	11.2	7.48	15.75	13.78
	5X	34.65	45.67	32.28	4.55	12.1	7.48	31.5	18.9	11.42	7.48	15.75	13.78