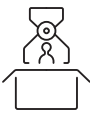

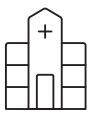




PPCVEW2 Series

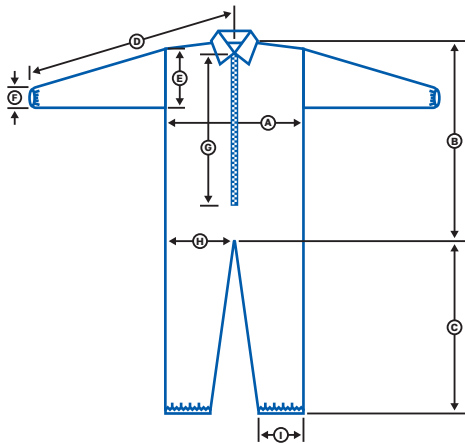
40 GSM POLYPROPYLENE COVERALL

Made of light-weight and porous spun-bonded polypropylene, these coveralls are a breathable, cool and comfortable option for protecting against dry particulates such as dirt and grime and contamination control.



- 
 Food Processing
- 
 Food Service
- 
 Health Care
- 
 Laboratory
- 
 CFR-21

SKU	SIZE	DIMENSIONS (CASE L" x W" x H")	WEIGHT (CASE, LBS)	GTIN	COLOR	CASE QTY	INNER PACKAGING	PALLET COUNT	TI/HI	COO
PPCV3XEW2	3X	17.72 x 12.6 x 7.48	6.61	10699320002237	White	25	QTY/PACK = 25 PACKS/CASE = 1	70	TI = 10 HI = 7	China



POLYPROPYLENE COVERALLS FINISHED DIMENSIONS

MEASUREMENTS (inches, +/-1" tolerance)										
SIZE	A	B	C	D	E	F	G	H	I	
	3X	31.5	42.5	3.71	38.19	11.22	6.69	31.5	17.3	11.2