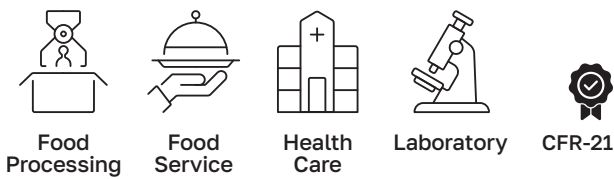


## PPCVHB2 Series

# 40 GSM POLYPROPYLENE COVERALL

Made of light-weight and porous spun-bonded polypropylene, these coveralls are a breathable, cool and comfortable option for protecting against dry particulates such as dirt and grime and contamination control.



ZIPPER FRONT

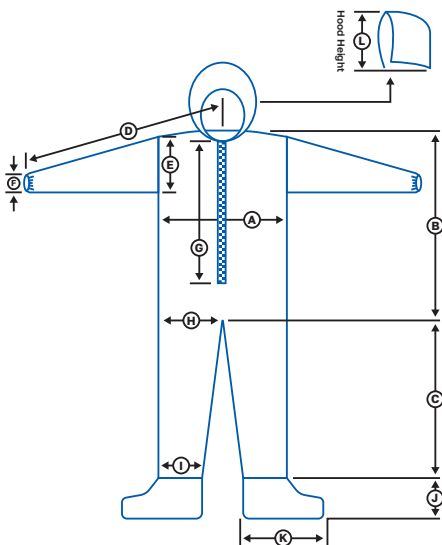


ATTACHED HOOD AND BOOT



LATEX FREE ELASTIC WRISTS

SKU	SIZE	DIMENSIONS (CASE L" x W" x H")	WEIGHT (CASE, LBS)	GTIN	COLOR	CASE QTY	INNER PACKAGING	PALLET COUNT	TI/HI	COO
PPCVLGH2	LARGE	12.2 x 9.84 x 16.14	8.82	10699320002800	White	25	QTY/PACK = 25 PACKS/CASE = 1	90	TI = 10 HI = 9	China
PPCVXLH2	XL	12.6 x 11.02 x 16.93	9.3	10699320002817	White	25	QTY/PACK = 25 PACKS/CASE = 1	90	TI = 10 HI = 9	China
PPCV2XHB2	2X	12.6 x 11.02 x 16.93	9.7	10699320002763	White	25	QTY/PACK = 25 PACKS/CASE = 1	90	TI = 10 HI = 9	China
PPCV3XHB2	3X	12.6 x 11.02 x 16.93	10.4	10699320002770	White	25	QTY/PACK = 25 PACKS/CASE = 1	90	TI = 10 HI = 9	China
PPCV4XHB2	4X	12.6 x 11.02 x 17.72	11.5	10699320002787	White	25	QTY/PACK = 25 PACKS/CASE = 1	90	TI = 10 HI = 9	China
PPCV5XHB2	5X	12.6 x 11.02 x 17.72	11.9	10699320002794	White	25	QTY/PACK = 25 PACKS/CASE = 1	90	TI = 10 HI = 9	China



### POLYPROPYLENE COVERALLS FINISHED DIMENSIONS

		MEASUREMENTS (inches, +/-1" tolerance)											
		A	B	C	D	E	F	G	H	I	J	K	L
SIZE	L	26.77	37.4	3.31	34.25	1.63	6.3	29.53	16.54	1.24	7.48	15.75	13.78
	XL	28.35	38.98	3.71	35.83	1.83	6.3	31.5	17.32	1.63	7.48	15.75	13.78
	2X	29.92	4.94	31.5	37.1	11.22	6.3	31.5	18.11	1.63	7.48	15.75	13.78
	3X	31.5	42.52	32.28	38.19	11.22	6.69	31.5	18.9	11.2	7.48	15.75	13.78
	4X	33.7	44.9	29.53	39.37	11.61	7.48	31.5	14.96	11.2	7.48	15.75	13.78
	5X	34.65	45.67	29.92	4.55	12.1	7.48	31.5	15.75	11.42	7.48	15.75	13.78