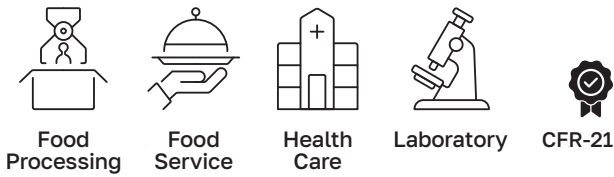


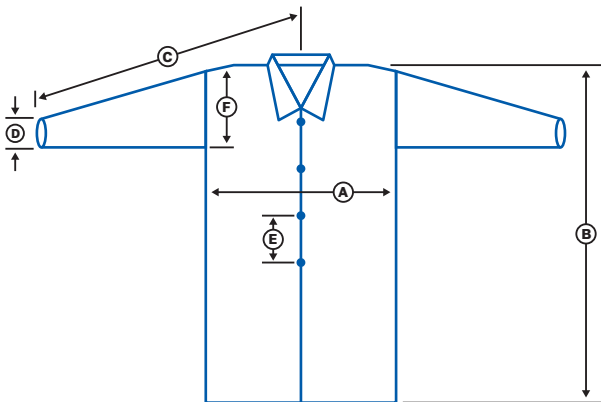
## PPLC Series

# POLYPROPYLENE LABCOAT

Made of light-weight and porous spun-bonded polypropylene, these lab coats are a breathable, cool and comfortable option for protecting against dry particulates such as dirt and grime and contamination control.



SKU	SIZE	DIMENSIONS (CASE L" x W" x H")	WEIGHT (CASE, LBS)	GTIN	COLOR	CASE QTY	INNER PACKAGING	PALLET COUNT	TI/HI	COO
PPLCMD	MEDIUM	12.60 x 11.02 x 7.87	4.85	10699320001575	White	30	QTY/PACK = 30 PACKS/CASE = 1	90	TI = 10 HI = 9	China
PPLCLG	LARGE	12.60 x 11.02 x 7.87	4.85	10699320001582	White	30	QTY/PACK = 30 PACKS/CASE = 1	90	TI = 10 HI = 9	China
PPLCXL	XL	12.60 x 11.02 x 7.87	4.85	10699320001599	White	30	QTY/PACK = 30 PACKS/CASE = 1	90	TI = 10 HI = 9	China
PPLC2X	2X	12.60 x 11.02 x 7.87	5.51	10699320001605	White	30	QTY/PACK = 30 PACKS/CASE = 1	90	TI = 10 HI = 9	China
PPLC3X	3X	12.6 x 11.02 x 8.66	4.3	10699320001322	White	30	QTY/PACK = 30 PACKS/CASE = 1	90	TI = 10 HI = 9	China
PPLC4X	4X	13.39 x 11.42 x 8.66	5.51	10699320001612	White	30	QTY/PACK = 30 PACKS/CASE = 1	90	TI = 10 HI = 9	China
PPLC5X	5X	13.39 x 11.42 x 8.66	5.51	10699320001629	White	30	QTY/PACK = 30 PACKS/CASE = 1	90	TI = 10 HI = 9	China
PPLC6X	6X	12.6 x 11.02 x 9.84	5	10699320001285	White	30	QTY/PACK = 30 PACKS/CASE = 1	90	TI = 10 HI = 9	China
PPLC7X	7X	12.6 x 11.02 x 9.84	5.35	10699320001292	White	30	QTY/PACK = 30 PACKS/CASE = 1	90	TI = 10 HI = 9	China



### POLYPROPYLENE LABCAOT FINISHED DIMENSIONS

		MEASUREMENTS (inches, +/-1" tolerance)					
		(A)	(B)	(C)	(D)	(E)	(F)
SIZE	M	26.38	38.19	35.43	6.69	5.91	1.63
	L	24.8	37.4	34.65	6.69	5.91	11.2
	XL	28.35	39.37	36.61	7.9	5.91	11.42
	2X	29.53	4.55	37.6	7.9	5.91	11.42
	3X	31.5	42.13	38.58	7.48	5.91	11.42
	4X	33.46	43.7	39.96	7.48	5.91	11.81
	5X	35.43	45.28	4.94	7.87	5.91	11.81
	6X	37.4	46.46	42.32	7.87	6.69	11.81
7X	39.37	47.24	43.7	7.87	6.69	11.81	