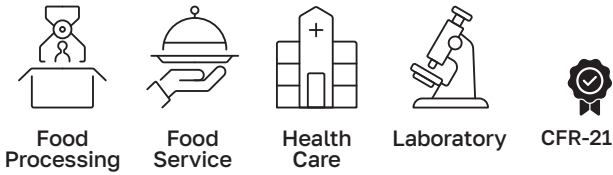


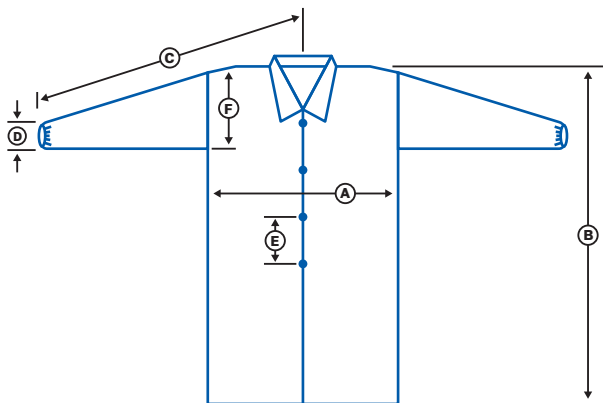
PPLCBEW Series

POLYPROPYLENE LABCOAT

Made of light-weight and porous spun-bonded polypropylene, these lab coats are a breathable, cool and comfortable option for protecting against dry particulates such as dirt and grime and contamination control.



SKU	SIZE	DIMENSIONS (CASE L" x W" x H")	WEIGHT (CASE, LBS)	GTIN	COLOR	CASE QTY	INNER PACKAGING	PALLET COUNT	TI/HI	COO
PPLCBMDEW	MEDIUM	12.60 x 11.02 x 8.66	3.86	10699320003678	Navy Blue	30	QTY/PACK = 30 PACKS/CASE = 1	90	TI = 10 HI = 9	China
PPLCBLGEW	LARGE	12.60 x 11.02 x 8.66	3.97	10699320003685	Navy Blue	30	QTY/PACK = 30 PACKS/CASE = 1	90	TI = 10 HI = 9	China
PPLCBXLEW	XL	12.60 x 11.02 x 8.66	4.3	10699320003692	Navy Blue	30	QTY/PACK = 30 PACKS/CASE = 1	90	TI = 10 HI = 9	China
PPLCB2XEW	2X	12.60 x 11.02 x 8.66	4.74	10699320003708	Navy Blue	30	QTY/PACK = 30 PACKS/CASE = 1	90	TI = 10 HI = 9	China
PPLCB3XEW	3X	12.60 x 11.02 x 9.84	5.18	10699320003715	Navy Blue	30	QTY/PACK = 30 PACKS/CASE = 1	90	TI = 10 HI = 9	China
PPLCB4XEW	4X	12.60 x 11.02 x 9.84	5.51	10699320003722	Navy Blue	30	QTY/PACK = 30 PACKS/CASE = 1	90	TI = 10 HI = 9	China
PPLCB5XEW	5X	12.60 x 11.02 x 9.84	5.51	10699320003739	Navy Blue	30	QTY/PACK = 30 PACKS/CASE = 1	90	TI = 10 HI = 9	China



POLYPROPYLENE LABCOAT FINISHED DIMENSIONS

		MEASUREMENTS (inches, +/-1" tolerance)					
		(A)	(B)	(C)	(D)	(E)	(F)
SIZE	M	26.38	38.19	35.43	6.69	5.91	1.63
	L	24.8	37.4	34.65	6.69	5.91	11.2
	XL	28.35	39.37	36.61	7.9	5.91	11.42
	2X	29.53	4.55	37.6	7.9	5.91	11.42
	3X	31.5	42.13	38.58	7.48	5.91	11.42
	4X	33.46	43.7	39.96	7.48	5.91	11.81
	5X	35.43	45.28	4.94	7.87	5.91	11.81