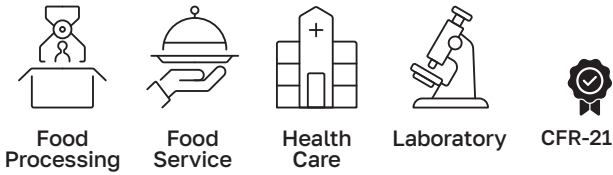


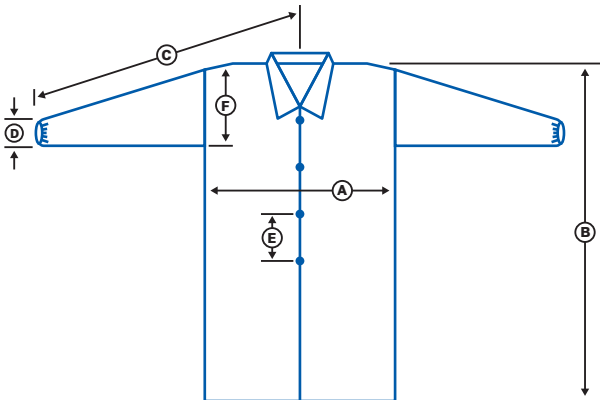
PPLCGEW Series

POLYPROPYLENE LABCOAT

Made of light-weight and porous spun-bonded polypropylene, these lab coats are a breathable, cool and comfortable option for protecting against dry particulates such as dirt and grime and contamination control.



SKU	SIZE	DIMENSIONS (CASE L" x W" x H")	WEIGHT (CASE, LBS)	GTIN	COLOR	CASE QTY	INNER PACKAGING	PALLET COUNT	TI/HI	COO
PPLCGXLEW	XL	12.60 x 11.02 x 8.66	4.3	10699320004088	Green	30	QTY/PACK = 30 PACKS/CASE = 1	90	TI = 10 HI = 9	China
PPLCG2XEW	2X	12.60 x 11.02 x 8.66	4.74	10699320004095	Green	30	QTY/PACK = 30 PACKS/CASE = 1	90	TI = 10 HI = 9	China
PPLCG3XEW	3X	12.60 x 11.02 x 9.84	5.18	10699320004101	Green	30	QTY/PACK = 30 PACKS/CASE = 1	90	TI = 10 HI = 9	China



POLYPROPYLENE LABCOAT FINISHED DIMENSIONS

MEASUREMENTS (inches, +/-1" tolerance)							
	(A)	(B)	(C)	(D)	(E)	(F)	
SIZE	XL	28.35	39.37	36.61	7.9	5.91	11.42
	2X	29.53	4.55	37.6	7.9	5.91	11.42
	3X	31.5	42.13	38.58	7.48	5.91	11.42