

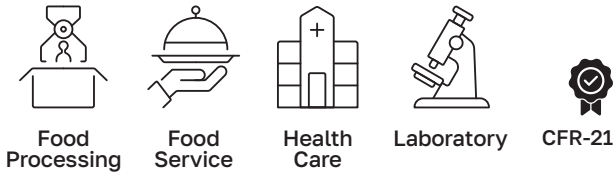
SMCV Series

SMS COVERALL

Made of sms (A3 layer material made by laminating a bottom layer of spun-bonded polypro, a middle layer of meltblown polypro and a top layer of spun-bonded polypro), these coveralls are more durable and offer a higher level of protection over standard spun-bonded polypropylene coveralls.

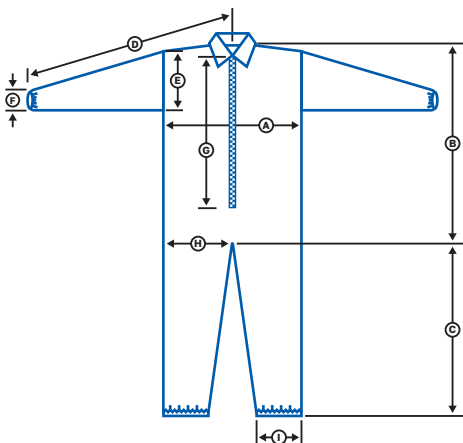


ZIPPER FRONT



SKU	SIZE	DIMENSIONS (CASE L" x W" x H")	WEIGHT (CASE, LBS)	GTIN	COLOR	CASE QTY	INNER PACKAGING	PALLET COUNT	TI/HI	COO
SMCVMD	MEDIUM	12.99 x 11.02 x 10.24	10.45	10699320003821	White	25	QTY/PACK = 25 PACKS/CASE = 1	60	TI = 10 HI = 6	China
SMCVLG	LARGE	12.99 x 11.02 x 10.24	11	10699320003838	White	25	QTY/PACK = 25 PACKS/CASE = 1	60	TI = 10 HI = 6	China
SMCVXL	XL	12.99 x 11.02 x 10.24	11	10699320003845	White	25	QTY/PACK = 25 PACKS/CASE = 1	60	TI = 10 HI = 6	China
SMCV2X	2X	12.99 x 11.02 x 11.42	11	10699320003852	White	25	QTY/PACK = 25 PACKS/CASE = 1	60	TI = 10 HI = 6	China
SMCV3X	3X	12.99 x 11.02 x 11.42	12.65	10699320003869	White	25	QTY/PACK = 25 PACKS/CASE = 1	60	TI = 10 HI = 6	China
SMCV4X	4X	12.99 x 11.02 x 11.81	14	10699320003876	White	25	QTY/PACK = 25 PACKS/CASE = 1	60	TI = 10 HI = 6	China
SMCV5X	5X	12.99 x 11.02 x 11.81	16.5	10699320003883	White	25	QTY/PACK = 25 PACKS/CASE = 1	60	TI = 10 HI = 6	China

SMS COVERALLS FINISHED DIMENSIONS



		MEASUREMENTS (inches, +/-1" tolerance)								
		A	B	C	D	E	F	G	H	I
SIZE	M	25.2	35.83	29.13	33.7	1.63	6.3	27.56	14.17	1.24
	L	26.77	37.4	29.53	34.25	1.63	6.3	29.53	14.96	1.24
	XL	28.35	38.98	29.92	35.83	1.83	6.3	31.5	15.75	1.63
	2X	29.92	4.94	3.31	37.1	11.22	6.3	31.5	16.54	1.63
	3X	31.5	42.52	3.71	38.19	11.22	6.69	31.5	17.32	11.2
	4X	33.7	44.9	31.5	39.37	11.61	7.48	31.5	18.11	11.2
	5X	34.65	45.67	32.28	4.55	12.1	7.48	31.5	18.9	11.42